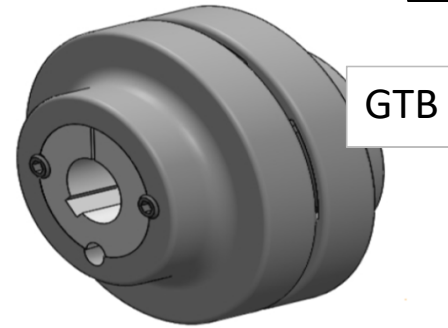


1450 RPM



Electric motor	kW	Motor Shaft mm	Coupling type	Coupling code	Taper bush type	Taper bush type
80 A	0,75	19	18	1018B01	B2820 (12 to 25 mm)	B2820 (12 to 25 mm)
80 B	1,1	19	18	1018B01	B2820 (12 to 25 mm)	B2820 (12 to 25 mm)
90 S	1,5	24	18	1018B01	B2820 (12 to 25 mm)	B2820 (12 to 25 mm)
	2,2	28	114	1114B01	B3025 (12 to 32 mm)	B3025 (12 to 32 mm)
100 L	3	28	114	1114B01	B3025 (12 to 32 mm)	B3025 (12 to 32 mm)
112 M	4	28	114	1114B01	B3025 (12 to 32 mm)	B3025 (12 to 32 mm)
132 SA	5,5	38	120	1120B01	B4025 (12 to 42 mm)	B4025 (12 to 42 mm)
132 M	7,5	38	120	1120B01	B4025 (12 to 42 mm)	B4025 (12 to 42 mm)
	9,2			1120B01	B4025 (12 to 42 mm)	B4025 (12 to 42 mm)
160 MA	11	42	120	1120B01	B4025 (12 to 42 mm)	B4025 (12 to 42 mm)
160 L	15	42	120	1120B01	B4025 (12 to 42 mm)	B4025 (12 to 42 mm)
180 MA	18,5	48	127	1127B01	B5030 (15 to 50 mm)	B5030 (15 to 50 mm)
180 L	22	48	127	1127B01	B5030 (15 to 50 mm)	B5030 (15 to 50 mm)
200 LA	30	55	140	1140B01	B6545 (18 to 65 mm)	B6545 (18 to 65 mm)
225 S	37	60	140	1140B01	B6545 (18 to 65 mm)	B6545 (18 to 65 mm)
225 M	45	60	140	1140B01	B6545 (18 to 65 mm)	B6545 (18 to 65 mm)
250 M	55	65	140	1140B01	B6545 (18 to 65 mm)	B6545 (18 to 65 mm)
280 S	75	75	170	1170B01	B7550 (25 to 75 mm)	B7550 (25 to 75 mm)
280 M	90	75	170	1170B01	B7550 (25 to 75 mm)	B7550 (25 to 75 mm)

2900 RPM



Electric Motor	kW	Shaft diam	Coupling type	Coupling code	Hub Code	Taper Bush type	Pump Shaft
80 A	0,75	19	18	1018B01		B2820 (12 to 25 mm)	B2820 (12 to 25 mm)
80 B	1,1	19	18	1018B01		B2820 (12 to 25 mm)	B2820 (12 to 25 mm)
90 S	1,5	24	18	1018B01		B2820 (12 to 25 mm)	B2820 (12 to 25 mm)
	2,2	28	114	1114B22	3114B03	B4025 (12 to 42 mm)	B3025 (12 to 32 mm)
100 L	3	28	114	1114B22	3114B03	B4025 (12 to 42 mm)	B3025 (12 to 32 mm)
112 M	4	28	114	1114B22	3114B03	B4025 (12 to 42 mm)	B3025 (12 to 32 mm)
132 SA	5,5	38	114	1114B22	3114B03	B4025 (12 to 42 mm)	B3025 (12 to 32 mm)
132 SB	7,5	38	114	1114B22	3114B03	B4025 (12 to 42 mm)	B3025 (12 to 32 mm)
160 MA	11	42	114	1114B22	3114B03	B4025 (12 to 42 mm)	B3025 (12 to 32 mm)
160 MB	15	42	114	1114B22	3114B03	B4025 (12 to 42 mm)	B3025 (12 to 32 mm)
160 L	18,5	42	114	1114B22	3114B03	B4025 (12 to 42 mm)	B3025 (12 to 32 mm)
180 M	22	48	120	1120B18	3120B03	B5030 (15 to 50 mm)	B4025 (12 to 42 mm)
200 LA	30	55	140	1140B01		B6545 (18 to 65 mm)	B6545 (18 to 65 mm)
200 LB	37	55	140	1140B01		B6545 (18 to 65 mm)	B6545 (18 to 65 mm)
225 M	45	55	140	1140B01		B6545 (18 to 65 mm)	B6545 (18 to 65 mm)
250 M	55	60	140	1140B01		B6545 (18 to 65 mm)	B6545 (18 to 65 mm)
250 S	55	60	140	1140B01		B6545 (18 to 65 mm)	B6545 (18 to 65 mm)
280 S	75	65	140	1140B01		B6545 (18 to 65 mm)	B6545 (18 to 65 mm)



Power kW	RPM	TYPE	Coupling Part-No	SERIES	Motor Shaft diam	Nominal Couple of the Coupling	Max Bore on the Coupling	SPARE PART
2,2	2900	15	1015001	GN	24	58	25	4080003
3	2900	18	1018001	GN	28	132	30	4080003
4	2900	18	1018001	GN	28	132	30	4080003
7,5	2900	114	1114001	GN	38	166	40	4080003
11	2900	120	1120001	GN	42	323	45	4080003
15	2900	120	1120001	GN	42	323	45	4080003
18,5	2900	120	1120001	GN	42	323	45	4080003
22	2900	120	1120037	GNE	48	323	55	4080003
30	2900	120	1120037	GNE	55	323	55	4080003
37	2900	120	1120037	GNE	55	323	55	4080003
55	2900	140	1140042	GNE	60	546	65	4080004
75	2900	140	1140042	GNE	65	546	65	4080004
2,2	1500	18	1018001	GN	28	132	30	4080003
3	1500	18	1018001	GN	28	132	30	4080003
4	1500	18	1018001	GN	28	132	30	4080003
7,5	1500	114	1114001	GN	38	166	40	4080003
11	1500	120	1120001	GN	42	323	45	4080003
15	1500	120	1120001	GN	42	323	45	4080003
18,5	1500	120	1120037	GNE	48	323	55	4080003
22	1500	120	1120037	GNE	48	323	55	4080003
30	1500	120	1120037	GNE	55	323	55	4080003
37	1500	140	1140042	GNE	60	546	65	4080004
55	1500	140	1140042	GNE	65	546	65	4080004
75	1500	170	1170036	GNE	75	900	80	4080004
90	1500	170	1170036	GNE	75	900	80	4080004