

Tipo Type Type Tipo	Motore Motor Moteur Motor		Q = Portata - Capacity - Débit - Caudal																	
			m ³ /h	0	84	96	108	114	132	150	156	168	180	186	204	222	228	240	252	276
	l/min	0	1400	1600	1800	1900	2200	2500	2600	2800	3000	3100	3400	3700	3800	4000	4200	4600		
	hp	kW	l/s	0	23,33	26,67	30	31,67	36,67	41,67	43,33	46,67	50	51,67	56,67	61,67	63,33	66,67	70	76,67
FB10SX190/1L-A	15	11		29	23	22	21	20	18	17	16	15	13	13	10	8	7	5		
FB10SX190/1H-A	20	15		36	31	29	28	28	26	24	24	22	21	20	18	15	14	12		
FB10SX190/1D-A	25	18,5		41	36	35	35	34	32	30	30	28	27	26	24	21	20	18		
FB10SX190/1A-A	30	22		44	41	40	39	39	37	35	35	34	32	32	29	27	26	24		
FB10SX190/2H-A	35	26		74	61	59	57	56	52	48	47	44	41	39	34	28	26	21		
FB10SX190/2F-A	40	30		80	67	65	63	62	59	55	54	51	48	47	41	35	32	27		
FB10SX190/2A-A	50	37		87	78	76	74	73	69	65	64	61	57	56	50	44	42	38		
FB10SX190/3F-A	60	45		120	101	98	95	93	89	83	81	77	72	70	61	52	48	41		
FB10SX190/3A-A	75	55		131	116	114	110	109	103	98	95	91	86	83	75	66	63	56		
FB10SX190/4F-A	90	66	H(m)	160	134	130	127	125	118	111	108	103	96	93	82	69	65	55		
FB10SX190/4A-A	100	75		176	154	150	146	144	136	128	125	119	112	108	97	84	80	70		
FB10SX190/5A-A	125	92		219	193	188	182	180	170	160	156	148	140	135	121	105	99	88		
FB10SX190/6A-A	150	110		263	231	225	219	216	204	192	188	178	168	163	145	126	119	105		
FB10SX190/7A-A	180	132		307	270	263	255	251	239	224	219	208	196	190	169	147	139	123		
FB10SX190/8A-A	200	150		351	309	301	292	287	273	256	250	237	224	217	194	168	159	140		
FB10SX190/9A-A	230	170		395	347	338	328	323	307	288	281	267	252	244	218	189	179	158		
FB10SX190/10A-A	260	190		439	386	376	365	359	341	320	313	297	280	271	242	210	199	175		
FB10SX190/11A-A	260	190		483	424	413	401	395	375	352	344	326	308	298	266	231	219	193		
FB10SX190/12A-A	300	220		527	463	451	438	431	409	384	375	356	336	325	291	252	239	210		
FB10SX220/1L-A	15	11		27	22	21	20	20	18	17	16	15	14	13	11	9	8	6	4	
FB10SX220/1H-A	20	15		34	29	28	27	27	25	24	23	22	21	20	18	16	15	13	11	7
FB10SX220/1D-A	25	18,5		39	34	33	32	32	30	29	28	27	26	25	23	21	20	18	16	11
FB10SX220/1A-A	30	22		44	40	39	39	38	37	35	35	34	33	32	30	28	27	25	23	19
FB10SX220/2H-A	35	26		71	59	57	55	54	51	47	46	43	41	39	34	29	27	23	19	9
FB10SX220/2F-A	40	30		78	66	64	62	61	58	54	53	50	48	46	41	36	34	30	25	16
FB10SX220/2B-A	50	37		86	76	74	72	71	68	65	63	61	58	56	52	46	45	41	37	28
FB10SX220/2A-A	60	45		89	78	77	75	74	71	67	66	64	61	59	55	49	48	44	40	30
FB10SX220/3B-A	75	55		129	114	111	108	107	102	97	95	91	87	85	77	70	67	61	55	41
FB10SX220/3A-A	80	59	H(m)	133	118	115	112	111	106	101	99	95	91	89	82	74	71	66	59	45
FB10SX220/4B-A	100	75		172	152	148	145	143	136	129	127	121	116	113	103	93	89	81	73	55
FB10SX220/4A-A	125	92		179	158	155	151	149	142	135	132	127	121	118	108	97	93	85	76	57
FB10SX220/5A-A	150	110		224	198	193	188	186	178	169	165	159	151	147	135	121	116	106	95	71
FB10SX220/6A-A	150	110		269	237	232	226	223	213	202	198	190	182	177	162	145	140	127	114	85
FB10SX220/7A-A	180	132		310	276	269	262	258	246	232	227	217	206	200	182	163	156	141	126	93
FB10SX220/8A-A	200	150		354	315	308	299	295	281	265	260	248	236	229	208	186	178	161	144	106
FB10SX220/9A-A	230	170		399	355	346	337	332	316	298	292	279	265	258	234	209	200	181	162	119
FB10SX220/10A-A	260	190		443	394	385	374	369	351	332	325	310	294	286	260	232	222	202	180	133
FB10SX220/11A-A	300	220		487	434	423	412	406	386	365	357	341	324	315	286	255	244	222	198	146
FB10SX220/12A-A	300	220		532	473	462	449	443	421	398	389	372	353	344	312	279	267	242	216	159

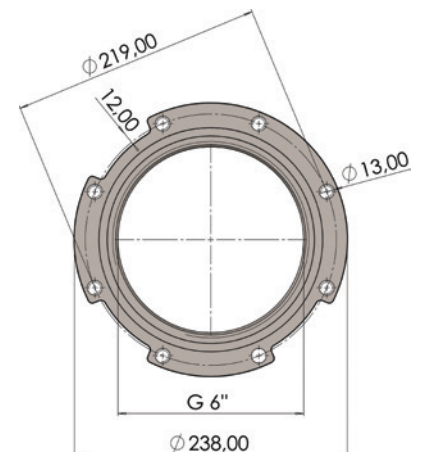
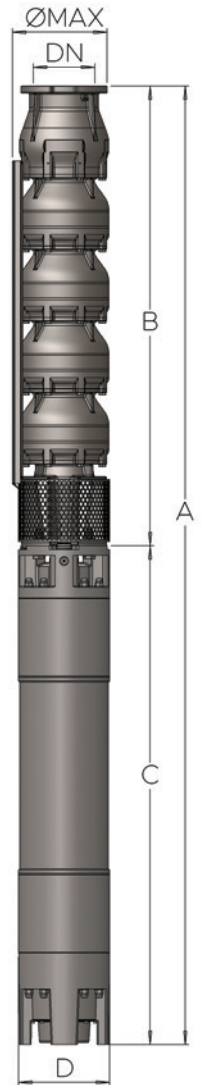
Tipo Type Type Tipo	Motore Motor Moteur Motor		Q = Portata - Capacity - Débit - Caudal																		
			m ³ /h	0	60	120	144	150	156	180	192	210	216	240	264	270	288	300	312	330	360
	l/min	0	1000	2000	2400	2500	2600	3000	3200	3500	3600	4000	4400	4500	4800	5000	5200	5500	6000		
	hp	kW	l/s	0	16,67	33,33	40	41,67	43,33	50	53,33	58,33	60	66,67	73,33	75	80	83,33	86,67	91,67	100
FB10SX250/1L-B	20	15		32	28	24	22	21	21	19	18	16	15	12	9	8	5	3	1		
FB10SX250/1F-B	25	19		38	35	30	28	28	27	25	24	23	22	19	16	15	12	10	8		
FB10SX250/1B-B	30	22		42	38	34	32	32	31	29	28	26	25	23	20	19	16	14	11		
FB10SX250/1A-B	35	26		45	41	37	36	35	35	33	32	31	30	28	25	24	21	19	17		
FB10SX250/2H-B	40	30		72	64	54	50	49	48	43	40	37	35	29	22	20	14	10	5		
FB10SX250/2D-B	50	37		84	77	67	63	62	61	56	53	49	48	42	35	33	27	23	18		
FB10SX250/2A-B	60	45		88	82	74	70	68	68	63	60	56	55	49	43	42	36	32	28		
FB10SX250/3D-B	75	55		126	116	101	94	93	91	84	80	74	72	63	53	50	41	34	27		
FB10SX250/3A-B	85	62		134	125	112	105	103	102	94	90	83	81	72	61	58	49	41	36		
FB10SX250/4D-B	100	75	H(m)	168	154	134	126	124	122	112	107	98	95	84	70	67	55	45	36		
FB10SX250/4A-B	125	92		178	165	148	139	136	134	123	117	108	105	93	77	74	61	53	45		
FB10SX250/5A-B	150	110		222	207	185	173	170	167	154	146	135	131	116	97	93	77	66	56		
FB10SX250/6A-B	180	132		266	247	220	206	203	199	182	174	160	155	135	113	107	90	77	65		
FB10SX250/7A-B	200	150		311	289	257	241	236	232	213	203	187	181	157	132	125	105	90	75		
FB10SX250/8A-B	230	170		355	330	294	275	270	265	243	232	213	207	180	151	143	120	103	86		
FB10SX250/9A-B	260	190		400	371	330	310	304	298	274	261	240	233	202	170	161	134	116	97		
FB10SX250/10A-B	260	190		444	412	367	344	338	331	304	290	266	258	225	188	179	149	129	108		
FB10SX250/11A-B	300	220		488	453	404	378	371	364	335	319	293	284	247	207	197	164	142	119		
FB10SX250/12A-B	340	250		533	495	441	413	405	398	365	347	320	310	270	226	215	179	155	129		
FB10SX280/1H-B	25	19		39	34	29	27	27	26	25	24	22	22	20	17	17	14	13	11	8	2
FB10SX280/1F-B	30	22		43	38	33	31	30	30	28	27	25	24	22	20	19	17	15	13	10	2
FB10SX280/1D-B	35	26		44	40	36	35	34	34	32	31	30	29	27	25	24	22	20	18	15	9
FB10SX280/1A-B	40	30		46	43	39	38	38	37	36	36	34	34	32	30	30	28	26	24	22	17
FB10SX280/2F-B	50	37		85	76	66	62	61	60	55	53	50	49	44	39	38	33	30	26	19	4
FB10SX280/2B-B	60	45		93	86	77	73	72	71	67	64	60	59	53	47	45	40	37	33	27	16
FB10SX280/2A-B	70	51		90	83	75	72	71	70	67	65	63	62	58	53	52	47	44	40	34	21
FB10SX280/3F-B	90	66		128	114	99	93	91	90	83	80	75	73	66	59	57	50	45	39	29	6
FB10SX280/3A-B	100	75		139	128	116	110	109	108	102	100	95	94	87	80	78	71	65	59	49	27
FB10SX280/4A-B	125	92	H(m)	184	169	151	144	142	141	133	130	124	122	113	103	100	91	84	76	63	35
FB10SX280/5B-B	150	110		231	215	193	183	181	178	167	160	151	147	133	117	113	100	91	82	67	41
FB10SX280/5A-B	180	132		230	209	187	178	176	174	165	160	152	150	139	126	122	111	102	93	77	43
FB10SX280/6A-B	200	150		276	251	224	214	211	208	197	192	183	180	166	151	147	133	123	111	92	52
FB10SX280/7A-B	230	170		322	292	262	250	246	243	230	224	213	210	194	176	171	155	143	130	107	60
FB10SX280/8A-B	260	190		368	334	299	285	282	278	263	256	244	239	222	201	196	177	164	148	122	69
FB10SX280/9A-B	300	220		414	376	337	321	317	313	296	288	274	269	249	226	220	199	184	167	138	77
FB10SX280/10A-B	340	250		460	418	374	356	352	347	329	319	305	299	277	252	245	222	204	185	153	86
FB10SX280/11A-B	340	250		506	459	412	392	387	382	362	351	335	329	305	277	269	244	225	204	168	95
FB10SX280/12A-B	400	300		552	501	449	428	422	417	395	383	365	359	332	302	293	266	245	222	184	103

Tipo Type Type Tipo	Motore Motors Moteurs Motor		Q = Portata - Capacity - Débit - Caudal											
	CV hp	2900 rpm kW	m ³ /h	0	96	114	132	150	168	186	204	222	240	
			l/min	0	1600	1900	2200	2500	2800	3100	3400	3700	4000	
			l/s	0	26,67	31,67	36,67	41,67	46,67	51,67	56,67	61,67	66,67	
FB10SX190/1L-A + 6F15	15	11	H(m)	29	22	20	18	17	15	13	10	8	5	
FB10SX190/1H-A + 6F20	20	15		36	29	28	26	24	22	20	18	15	12	
FB10SX190/1D-A + 6F25	25	18,5		41	35	34	32	30	28	26	24	21	18	
FB10SX190/1A-A + 6F30	30	22		44	40	39	37	35	34	32	29	27	24	
FB10SX190/2H-A + 6F35	35	26		74	59	56	52	48	44	39	34	28	21	
FB10SX190/2F-A + 8F40	40	30		80	65	62	59	55	51	47	41	35	27	
FB10SX190/2A-A + 8F50	50	37		87	76	73	69	65	61	56	50	44	38	
FB10SX190/3F-A + 8F60	60	45		120	98	93	89	83	77	70	61	52	41	
FB10SX190/3A-A + 8F75	75	55		131	114	109	103	98	91	83	75	66	56	
FB10SX190/4F-A + 8F90	90	66		160	130	125	118	111	103	93	82	69	55	
FB10SX190/4A-A + 8F100	100	75		176	150	144	136	128	119	108	97	84	70	
FB10SX190/5A-A + 10F125	125	92		219	188	180	170	160	148	135	121	105	88	
FB10SX190/6A-A + 10F150	150	110	263	225	216	204	192	178	163	145	126	105		
FB10SX190/7A-A + 10F180	180	132	307	263	251	239	224	208	190	169	147	123		
FB10SX190/8A-A + 10F200	200	150	351	301	287	273	256	237	217	194	168	140		
FB10SX190/9A-A* + 10F230	230	170	395	338	323	307	288	267	244	218	189	158		
FB10SX190/10A-A* + 10F260	260	190	439	376	359	341	320	297	271	242	210	175		
FB10SX190/11A-A* + 10F260	260	190	483	413	395	375	352	326	298	266	231	193		
FB10SX190/12A-A + 12F300	300	220	527	451	431	409	384	356	325	291	252	210		

Dimensioni e pesi

Overall dimensions and weights - Dimensions d'encombement et poids - Dimensiones y peso

Tipo Type Type Tipo	CV hp	kW	A mm	B mm	C mm	D mm	Ømax mm	DN	A kg	B kg	C kg
FB10SX190/1L-A + 6F15	15	11	1427	660	767	145	254	G6"	103	42	61
FB10SX190/1H-A + 6F20	20	15	1487	660	827				111	42	69
FB10SX190/1D-A + 6F25	25	18,5	1557	660	897				116	42	74
FB10SX190/1A-A + 6F30	30	22	1627	660	967				123	42	81
FB10SX190/2H-A + 6F35	35	26	1876	849	1027				147	57	90
FB10SX190/2F-A + 8F40	40	30	1898	849	1049				194	57	137
FB10SX190/2A-A + 8F50	50	37	1968	849	1119				214	57	157
FB10SX190/3F-A + 8F60	60	45	2267	1038	1229				241	72	169
FB10SX190/3A-A + 8F75	75	55	2387	1038	1349				266	72	194
FB10SX190/4F-A + 8F90	90	66	2646	1227	1419				297	87	210
FB10SX190/4A-A + 8F100	100	75	2836	1227	1609				328	87	241
FB10SX190/5A-A + 10F125	125	92	2984	1416	1568				451	102	349
FB10SX190/6A-A + 10F150	150	110	3313	1605	1708	475	117	358			
FB10SX190/7A-A + 10F180	180	132	3602	1794	1808	549	132	417			
FB10SX190/8A-A + 10F200	200	150	3911	1983	1928	607	147	460			
FB10SX190/9A-A* + 10F230	230	170	4200	2172	2028	646	162	484			
FB10SX190/10A-A* + 10F260	260	190	4489	2361	2128	697	177	520			
FB10SX190/11A-A* + 10F260	260	190	4678	2550	2128	712	192	520			
FB10SX190/12A-A + 12F300	300	220	4849	2739	2110	286	286	907	207	700	



* Non consigliata per montaggio in posizione orizzontale.

This electropump isn't recommended for horizontal assemblage.

Cette électropompe n'est pas recommandée pour le montage horizontal.

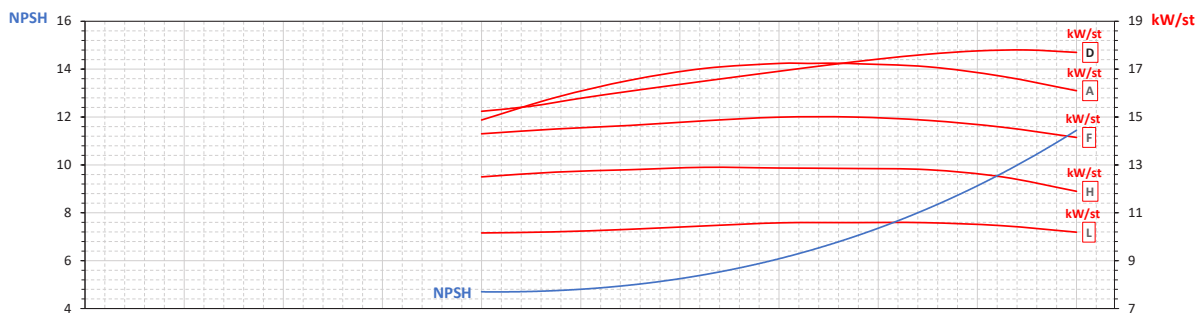
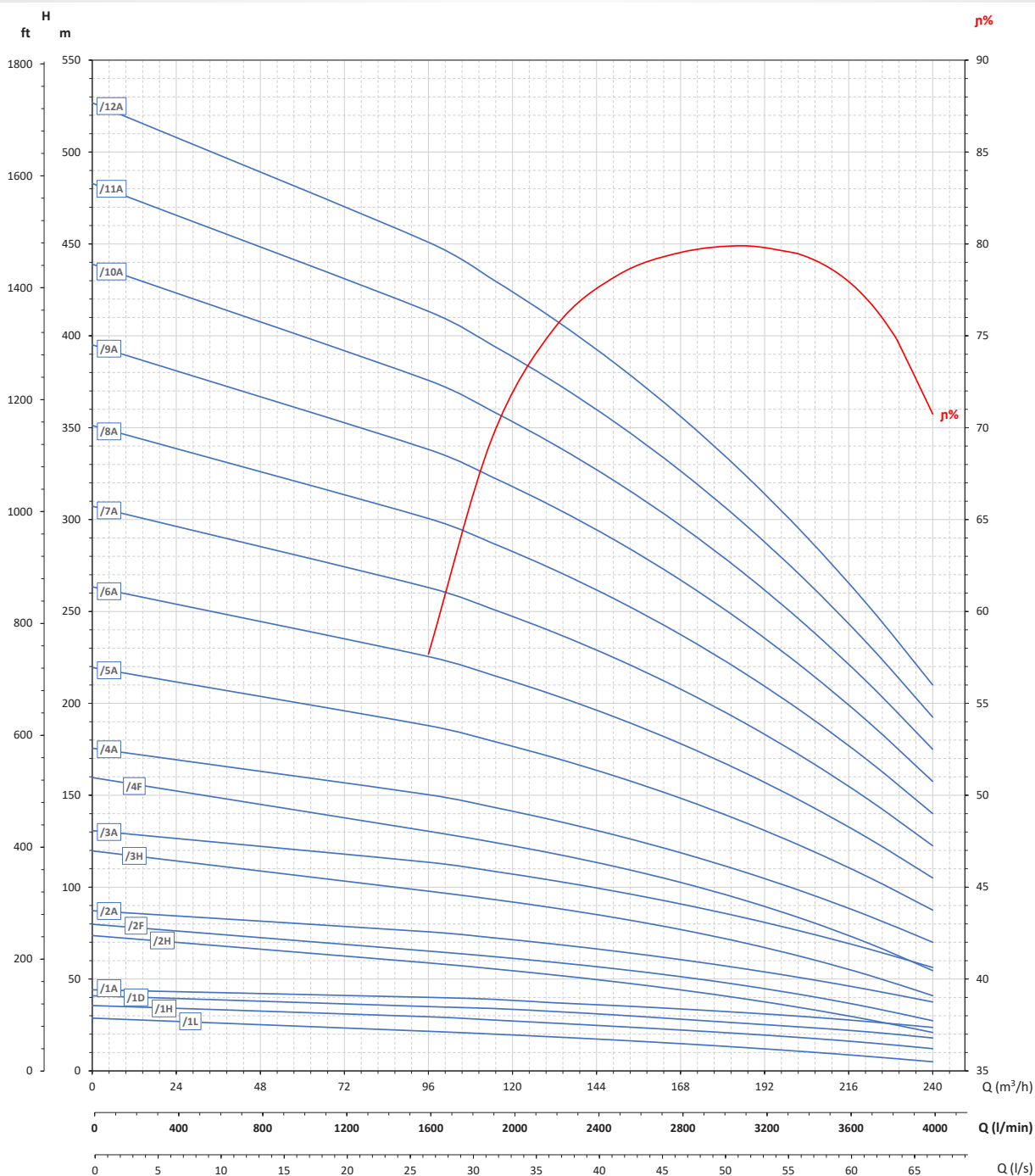
Esta electrobomba no se recomienda para el montaje horizontal.

Tolleranze secondo EN ISO 9906 app.A Gr.2 - Tolerances according to EN ISO 9906 an.A Gr.2 - Tolérances conformes EN ISO 9906 an.A Gr.2 - Tolerancias según EN ISO 9906 an.A Gr.2

Curve delle prestazioni

Performance curves / Courbes des performances /
Curvas de las prestaciones

FB10SX190



Rendimento massimo / Maximum efficiency / Rendement maximal / Rendimiento máximo **79,90%**

Assorbimento massimo per stadio / Maximum consumption per stage / Absorption maximale par étage / Absorción máxima por etapa
A = 17,25 kW/st - D = 17,81 kW/st - F = 15 kW/st - H = 12,9 kW/st - L = 10,59 kW/st

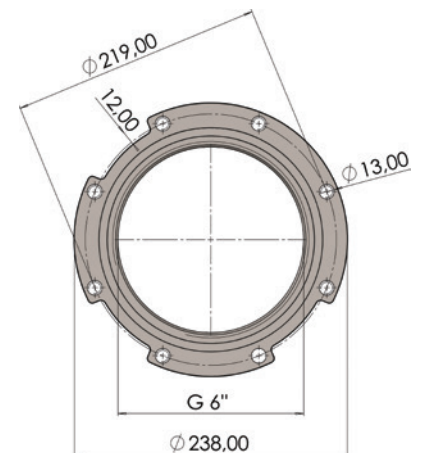
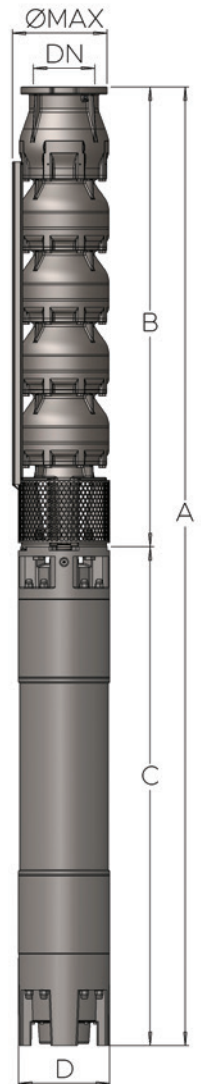
Tolleranze secondo EN ISO 9906 app.A Gr.2 - Tolerances according to EN ISO 9906 an.A Gr.2 - Tolérances conformes EN ISO 9906 an.A Gr.2 - Tolerancias según EN ISO 9906 an.A Gr.2

Tipo Type Type Tipo	Motore Motors Moteurs Motor		Q = Portata - Capacity - Débit - Caudal											
	CV hp	kW	2900 rpm	m ³ /h	0	84	108	132	156	180	204	228	252	276
			l/min	0	1400	1800	2200	2600	3000	3400	3800	4200	4600	
			l/s	0	23,33	30	36,67	43,33	50	56,67	63,33	70	76,67	
FB10SX220/1L-A + 6F15	15	11	H(m)	27	22	20	18	16	14	11	8	4		
FB10SX220/1H-A + 6F20	20	15		34	29	27	25	23	21	18	15	11	7	
FB10SX220/1D-A + 6F25	25	18,5		39	34	32	30	28	26	23	20	16	11	
FB10SX220/1A-A + 6F30	30	22		44	40	39	37	35	33	30	27	23	19	
FB10SX220/2H-A + 6F35	35	26		71	59	55	51	46	41	34	27	19	9	
FB10SX220/2F-A + 8F40	40	30		78	66	62	58	53	48	41	34	25	16	
FB10SX220/2B-A + 8F50	50	37		86	76	72	68	63	58	52	45	37	28	
FB10SX220/2A-A + 8F60	60	45		89	78	75	71	66	61	55	48	40	30	
FB10SX220/3B-A + 8F75	75	55		129	114	108	102	95	87	77	67	55	41	
FB10SX220/3A-A + 8F80	80	59		133	118	112	106	99	91	82	71	59	45	
FB10SX220/4B-A + 8F100	100	75		172	152	145	136	127	116	103	89	73	55	
FB10SX220/4A-A + 10F125	125	92		179	158	151	142	132	121	108	93	76	57	
FB10SX220/5A-A + 10F150	150	110		224	198	188	178	165	151	135	116	95	71	
FB10SX220/6A-A + 10F150	150	110		269	237	226	213	198	182	162	140	114	85	
FB10SX220/7A-A + 10F180	180	132		310	276	262	246	227	206	182	156	126	93	
FB10SX220/8A-A + 10F200	200	150		354	315	299	281	260	236	208	178	144	106	
FB10SX220/9A-A* + 10F230	230	170		399	355	337	316	292	265	234	200	162	119	
FB10SX220/10A-A* + 10F260	260	190		443	394	374	351	325	294	260	222	180	133	
FB10SX220/11A-A + 12F300	300	220		487	434	412	386	357	324	286	244	198	146	
FB10SX220/12A-A + 12F300	300	220		532	473	449	421	389	353	312	267	216	159	

Dimensioni e pesi

Overall dimensions and weights - Dimensions d'encombrement et poids - Dimensiones y peso

Tipo Type Type Tipo	CV hp	kW	A mm	B mm	C mm	D mm	Ømax mm	DN	A kg	B kg	C kg
FB10SX220/1L-A + 6F15	15	11	1427	660	767	145	254	G6" DN 150	103	42	61
FB10SX220/1H-A + 6F20	20	15	1487	660	827				111	42	69
FB10SX220/1D-A + 6F25	25	18,5	1557	660	897				116	42	74
FB10SX220/1A-A + 6F30	30	22	1627	660	967				123	42	81
FB10SX220/2H-A + 6F35	35	26	1876	849	1027				147	57	90
FB10SX220/2F-A + 8F40	40	30	1898	849	1049				194	57	137
FB10SX220/2B-A + 8F50	50	37	1968	849	1119				214	57	157
FB10SX220/2A-A + 8F60	60	45	2078	849	1229				226	57	169
FB10SX220/3B-A + 8F75	75	55	2387	1038	1349				266	72	194
FB10SX220/3A-A + 8F80	80	59	2387	1038	1349				266	72	194
FB10SX220/4B-A + 8F100	100	75	2836	1227	1609				328	87	241
FB10SX220/4A-A + 10F125	125	92	2795	1227	1568				436	87	349
FB10SX220/5A-A + 10F150	150	110	3124	1416	1708	460	102	358			
FB10SX220/6A-A + 10F150	150	110	3313	1605	1708	475	117	358			
FB10SX220/7A-A + 10F180	180	132	3602	1794	1808	549	132	417			
FB10SX220/8A-A + 10F200	200	150	3911	1983	1928	607	147	460			
FB10SX220/9A-A* + 10F230	230	170	4200	2172	2028	646	162	484			
FB10SX220/10A-A* + 10F260	260	190	4489	2361	2128	697	177	520			
FB10SX220/11A-A + 12F300	300	220	4660	2550	2110	892	192	700			
FB10SX220/12A-A + 12F300	300	220	4849	2739	2110	907	207	700			



* Non consigliata per montaggio in posizione orizzontale.

This electropump isn't recommended for horizontal assembly.

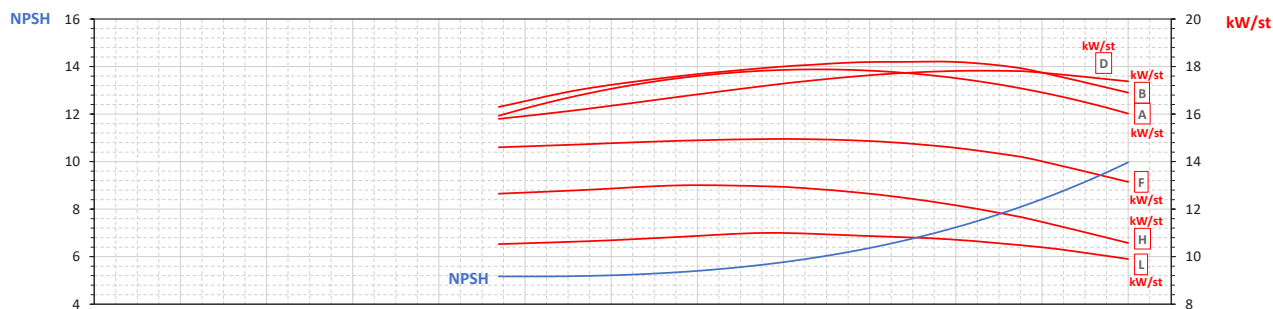
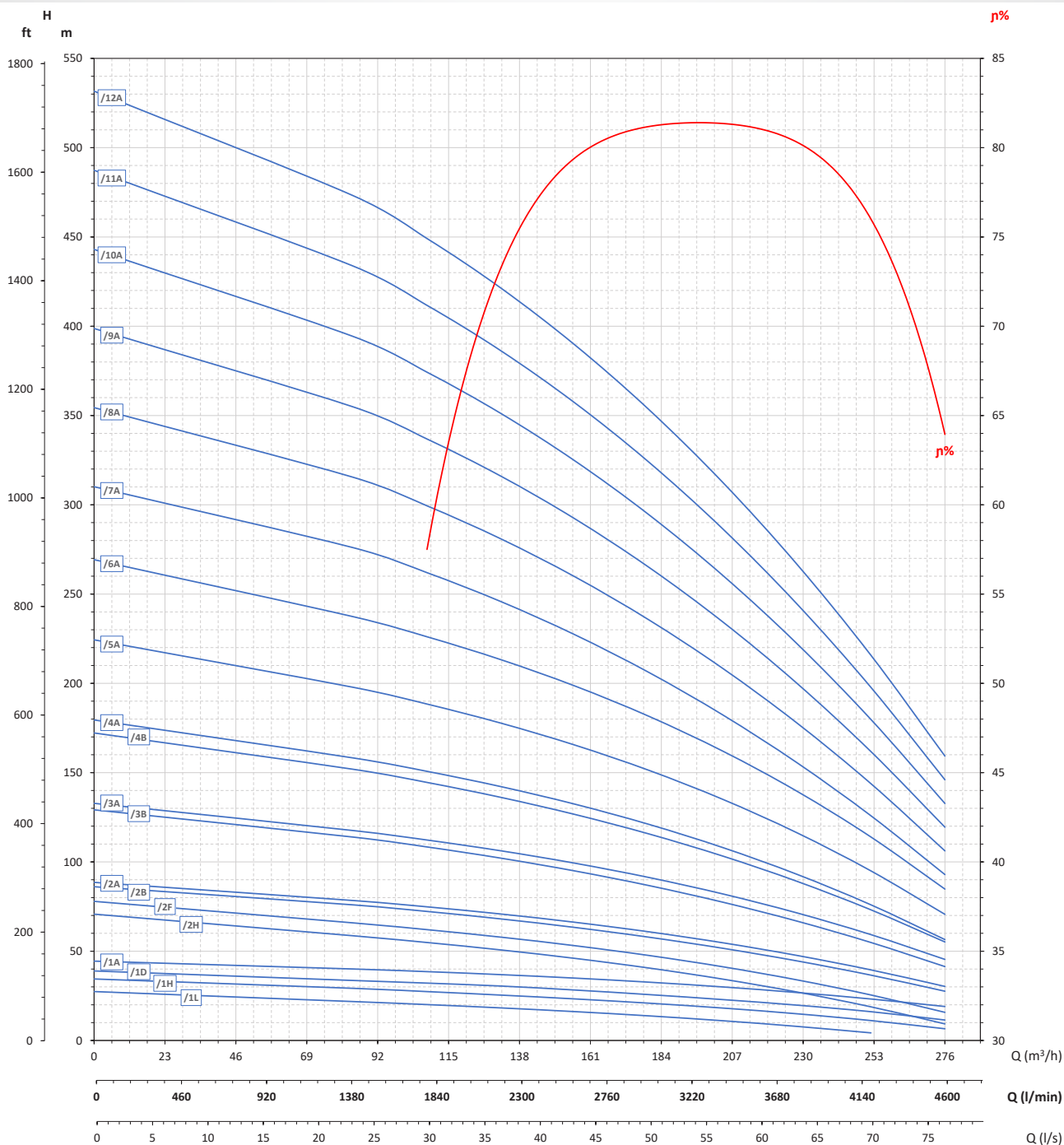
Cette électropompe n'est pas recommandée pour le montage horizontal.

Esta electrobomba no se recomienda para el montaje horizontal.

Curve delle prestazioni

Performance curves / Courbes des performances /
Curvas de las prestaciones

FB10SX220



Rendimento massimo / Maximum efficiency / Rendement maximal / Rendimiento máximo **81,40%**

Assorbimento massimo per stadio / Maximum consumption per stage / Absorption maximale par étage / Absorción máxima por etapa
A = 17,88 kW/st - B = 18,2 kW/st - D = 17,82 kW/st - F = 14,95 kW/st - H = 13 kW/st - L = 11 kW/st

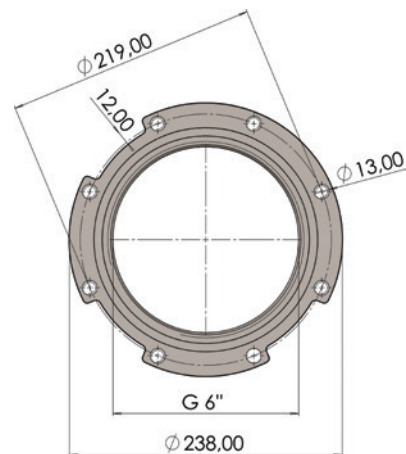
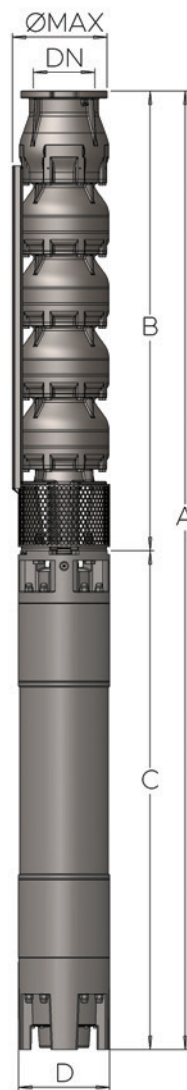
Tolleranze secondo EN ISO 9906 app.A Gr.2 - Tolerances according to EN ISO 9906 an.A Gr.2 - Tolérances conformes EN ISO 9906 an.A Gr.2 - Tolerancias según EN ISO 9906 an.A Gr.2

Tipo Type Type Tipo	Motore Motors Moteurs Motor		Q = Portata - Capacity - Débit - Caudal											
	CV hp	kW	2900 rpm	m ³ /h	0	60	120	144	156	192	216	264	288	312
			l/min	0	1000	2000	2400	2600	3200	3600	4400	4800	5200	
			l/s	0	16,67	33,33	40	43,33	53,33	60	73,33	80	86,67	
FB10SX250/1L-B + 6F20	20	15	H(m)	32	28	24	22	21	18	15	9	5	1	
FB10SX250/1F-B + 6F25	25	18,5		38	35	30	28	27	24	22	16	12	8	
FB10SX250/1B-B + 6F30	30	22		42	38	34	32	31	28	25	20	16	11	
FB10SX250/1A-B + 6F35	35	26		45	41	37	36	35	32	30	25	21	17	
FB10SX250/2H-B + 8F40	40	30		72	64	54	50	48	40	35	22	14	5	
FB10SX250/2D-B + 8F50	50	37		84	77	67	63	61	53	48	35	27	18	
FB10SX250/2A-B + 8F60	60	45		88	82	74	70	68	60	55	43	36	28	
FB10SX250/3D-B + 8F75	75	55		126	116	101	94	91	80	72	53	41	27	
FB10SX250/3A-B + 8F85	85	62		134	125	112	105	102	90	81	61	49	36	
FB10SX250/4D-B + 10F100	100	75		168	154	134	126	122	107	95	70	55	36	
FB10SX250/4A-B + 10F125	125	92		178	165	148	139	134	117	105	77	61	45	
FB10SX250/5A-B + 10F150	150	110		222	207	185	173	167	146	131	97	77	56	
FB10SX250/6A-B + 10F180	180	132		266	247	220	206	199	174	155	113	90	65	
FB10SX250/7A-B + 10F200	200	150		311	289	257	241	232	203	181	132	105	75	
FB10SX250/8A-B* + 10F230	230	170		355	330	294	275	265	232	207	151	120	86	
FB10SX250/9A-B* + 10F260	260	190		400	371	330	310	298	261	233	170	134	97	
FB10SX250/10A-B* + 10F260	260	190		444	412	367	344	331	290	258	188	149	108	
FB10SX250/11A-B* + 12F300	300	220		488	453	404	378	364	319	284	207	164	119	
FB10SX250/12A-B* + 12F340	340	250		533	495	441	413	398	347	310	226	179	129	

Dimensioni e pesi

Overall dimensions and weights - Dimensions d'encombrement et poids - Dimensiones y peso

Tipo Type Type Tipo	CV hp	kW	A mm	B mm	C mm	D mm	Ømax mm	DN	A kg	B kg	C kg
FB10SX250/1L-B + 6F20	20	15	1487	660	827	145			111	42	69
FB10SX250/1F-B + 6F25	25	18,5	1557	660	897				116	42	74
FB10SX250/1B-B + 6F30	30	22	1627	660	967				123	42	81
FB10SX250/1A-B + 6F35	35	26	1687	660	1027				132	42	90
FB10SX250/2H-B + 8F40	40	30	1898	849	1049	192			194	57	137
FB10SX250/2D-B + 8F50	50	37	1968	849	1119				214	57	157
FB10SX250/2A-B + 8F60	60	45	2078	849	1229				226	57	169
FB10SX250/3D-B + 8F75	75	55	2387	1038	1349				266	72	194
FB10SX250/3A-B + 8F85	85	62	2387	1038	1349	254		G6"	266	72	194
FB10SX250/4D-B + 10F100	100	75	2665	1227	1438				403	87	316
FB10SX250/4A-B + 10F125	125	92	2795	1227	1568				436	87	349
FB10SX250/5A-B + 10F150	150	110	3124	1416	1708				460	102	358
FB10SX250/6A-B + 10F180	180	132	3413	1605	1808	240		DN 150	534	117	417
FB10SX250/7A-B + 10F200	200	150	3722	1794	1928				592	132	460
FB10SX250/8A-B* + 10F230	230	170	4011	1983	2028				631	147	484
FB10SX250/9A-B* + 10F260	260	190	4300	2172	2128				682	162	520
FB10SX250/10A-B* + 10F260	260	190	4489	2361	2128	286			697	177	520
FB10SX250/11A-B* + 12F300	300	220	4660	2550	2110				892	192	700
FB10SX250/12A-B* + 12F340	340	250	5019	2739	2280				982	207	775



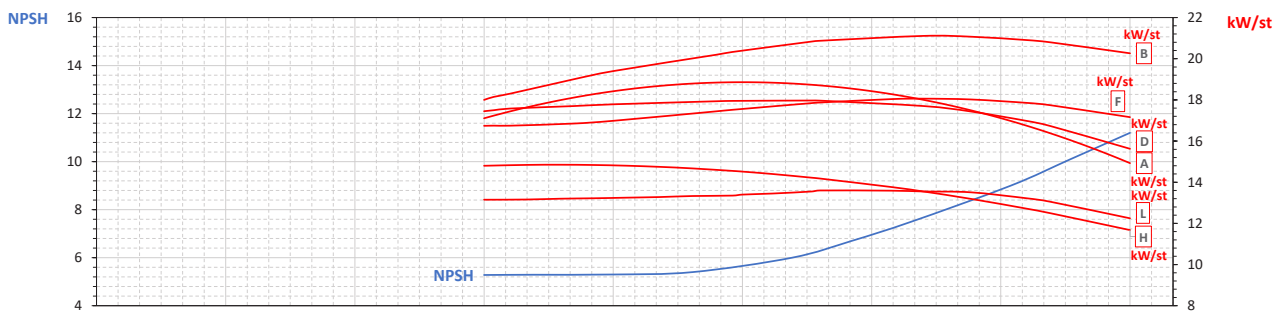
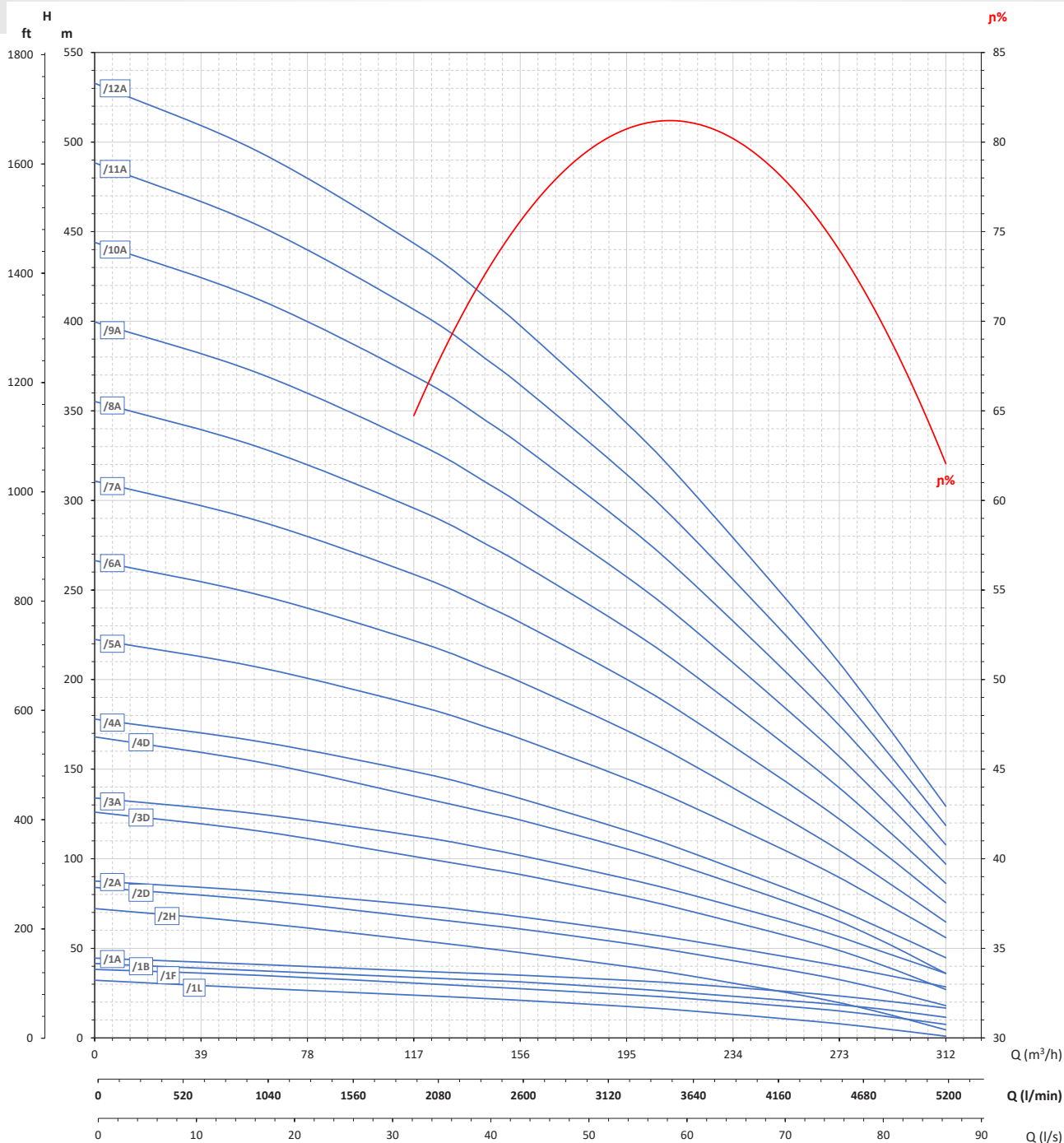
* Non consigliata per montaggio in posizione orizzontale. / This electropump isn't recommended for horizontal assemblage.
/ Cette électropompe n'est pas recommandée pour le montage horizontal. / Esta electrobomba no se recomienda para el montaje horizontal.

Tolleranze secondo EN ISO 9906 app.A Gr.2 - Tolerances according to EN ISO 9906 an.A Gr.2 - Tolérances conformes EN ISO 9906 an.A Gr.2 - Tolerancias según EN ISO 9906 an.A Gr.2

Curve delle prestazioni

Performance curves / Courbes des performances /
Curvas de las prestaciones

FB10SX250



Rendimento massimo / Maximum efficiency / Rendement maximal / Rendimiento máximo **81,20%**

Assorbimento massimo per stadio / Maximum consumption per stage / Absorption maximale par étage / Absorción máxima por etapa
A = 18,86 kW/st - B = 21,11 kW/st - D = 17,97 kW/st - F = 18,06 kW/st - H = 14,85 kW/st - L = 13,65 kW/st

Tolleranze secondo EN ISO 9906 app.A Gr.2 - Tolerances according to EN ISO 9906 an.A Gr.2 - Tolérances conformes EN ISO 9906 an.A Gr.2 - Tolerancias según EN ISO 9906 an.A Gr.2

FB10SX280 Dati delle prestazioni

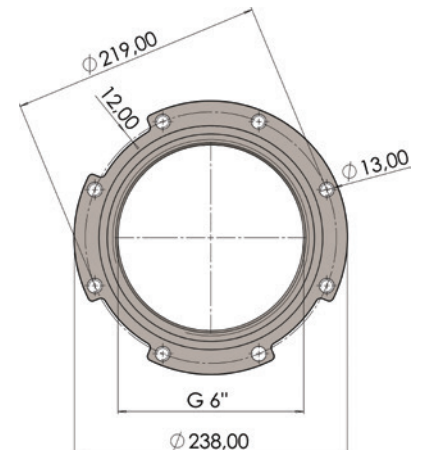
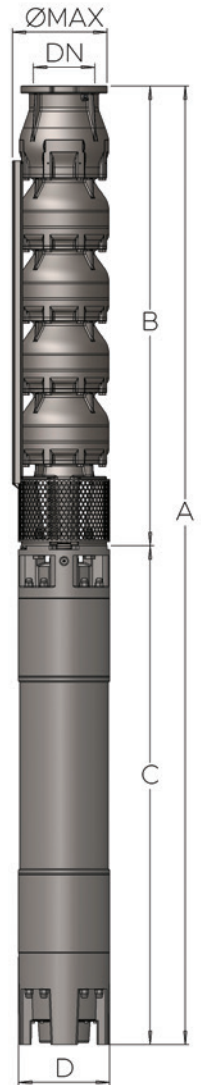
Performance data / Données des performances /
Datos de las prestaciones

Tipo Type Type Tipo	Motore Moteurs Moteurs Motor		Q = Portata - Capacity - Débit - Caudal										
	CV hp	2900 rpm kW	m ³ /h	0	120	150	180	210	240	270	300	330	360
			l/min	0	2000	2500	3000	3500	4000	4500	5000	5500	6000
			l/s	0	33,33	41,67	50	58,33	66,67	75	83,33	91,67	100
FB10SX280/1H-B + 6F25	25	18,5	H(m)	39	29	27	25	22	20	17	13	8	2
FB10SX280/1F-B + 6F30	30	22		43	33	30	28	25	22	19	15	10	2
FB10SX280/1D-B + 6F35	35	26		44	36	34	32	30	27	24	20	15	9
FB10SX280/1A-B + 8F40	40	30		46	39	38	36	34	32	30	26	22	17
FB10SX280/2F-B + 8F50	50	37		85	66	61	55	50	44	38	30	19	4
FB10SX280/2B-B + 8F60	60	45		93	77	72	67	60	53	45	37	27	16
FB10SX280/2A-B + 8F70	70	51		90	75	71	67	63	58	52	44	34	21
FB10SX280/3F-B + 8F90	90	66		128	99	91	83	75	66	57	45	29	6
FB10SX280/3A-B + 8F100	100	75		139	116	109	102	95	87	78	65	49	27
FB10SX280/4A-B + 10F125	125	92		184	151	142	133	124	113	100	84	63	35
FB10SX280/5B-B + 10F150	150	110		231	193	181	167	151	133	113	91	67	41
FB10SX280/5A-B + 10F180	180	132		230	187	176	165	152	139	122	102	77	43
FB10SX280/6A-B + 10F200	200	150	276	224	211	197	183	166	147	123	92	52	
FB10SX280/7A-B* + 10F230	230	170	322	262	246	230	213	194	171	143	107	60	
FB10SX280/8A-B* + 10F260	260	190	368	299	282	263	244	222	196	164	122	69	
FB10SX280/9A-B* + 12F300	300	220	414	337	317	296	274	249	220	184	138	77	
FB10SX280/10A-B* + 12F340	340	250	460	374	352	329	305	277	245	204	153	86	
FB10SX280/11A-B* + 12F340	340	250	506	412	387	362	335	305	269	225	168	95	
FB10SX280/12A-B* + 12F400	400	300	552	449	422	395	365	332	293	245	184	103	

Dimensioni e pesi

Overall dimensions and weights - Dimensions d'encombrement et poids - Dimensiones y peso

Tipo Type Type Tipo	CV hp	kW	A mm	B mm	C mm	D mm	Ømax mm	DN	A kg	B kg	C kg
FB10SX280/1H-B + 6F25	25	19	1557	660	897	145	254	G6"	116	42	74
FB10SX280/1F-B + 6F30	30	22	1627	660	967				123	42	81
FB10SX280/1D-B + 6F35	35	26	1687	660	1027				132	42	90
FB10SX280/1A-B + 8F40	40	30	1709	660	1049				179	42	137
FB10SX280/2F-B + 8F50	50	37	1968	849	1119				214	57	157
FB10SX280/2B-B + 8F60	60	45	2078	849	1229				226	57	169
FB10SX280/2A-B + 8F70	70	51	2078	849	1229				227	57	170
FB10SX280/3F-B + 8F90	90	66	2457	1038	1419				282	72	210
FB10SX280/3A-B + 8F100	100	75	2647	1038	1609				313	72	241
FB10SX280/4A-B + 10F125	125	92	2795	1227	1568				436	87	349
FB10SX280/5B-B + 10F150	150	110	3124	1416	1708				460	102	358
FB10SX280/5A-B + 10F180	180	132	3224	1416	1808				519	102	417
FB10SX280/6A-B + 10F200	200	150	3533	1605	1928	577	117	460			
FB10SX280/7A-B* + 10F230	230	170	3822	1794	2028	616	132	484			
FB10SX280/8A-B* + 10F260	260	190	4111	1983	2128	667	147	520			
FB10SX280/9A-B* + 12F300	300	220	4282	2172	2110	862	162	700			
FB10SX280/10A-B* + 12F340	340	250	4641	2361	2280	952	177	775			
FB10SX280/11A-B* + 12F340	340	250	4830	2550	2280	967	192	775			
FB10SX280/12A-B* + 12F400	400	300	5019	2739	2280	982	207	775			



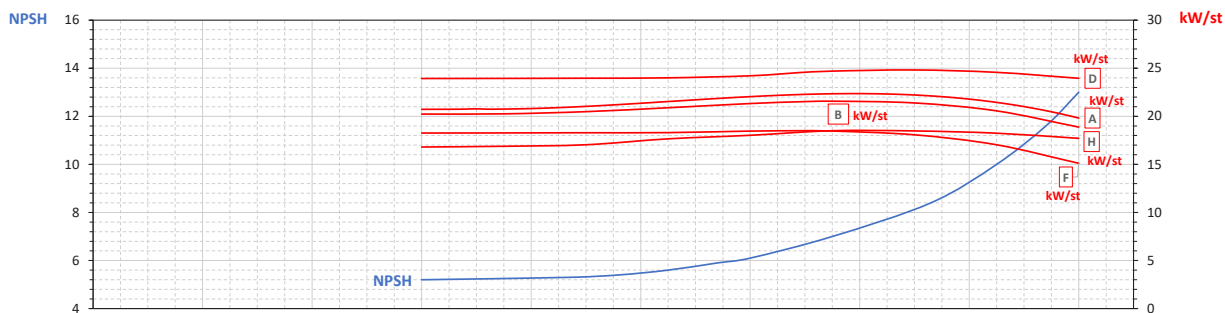
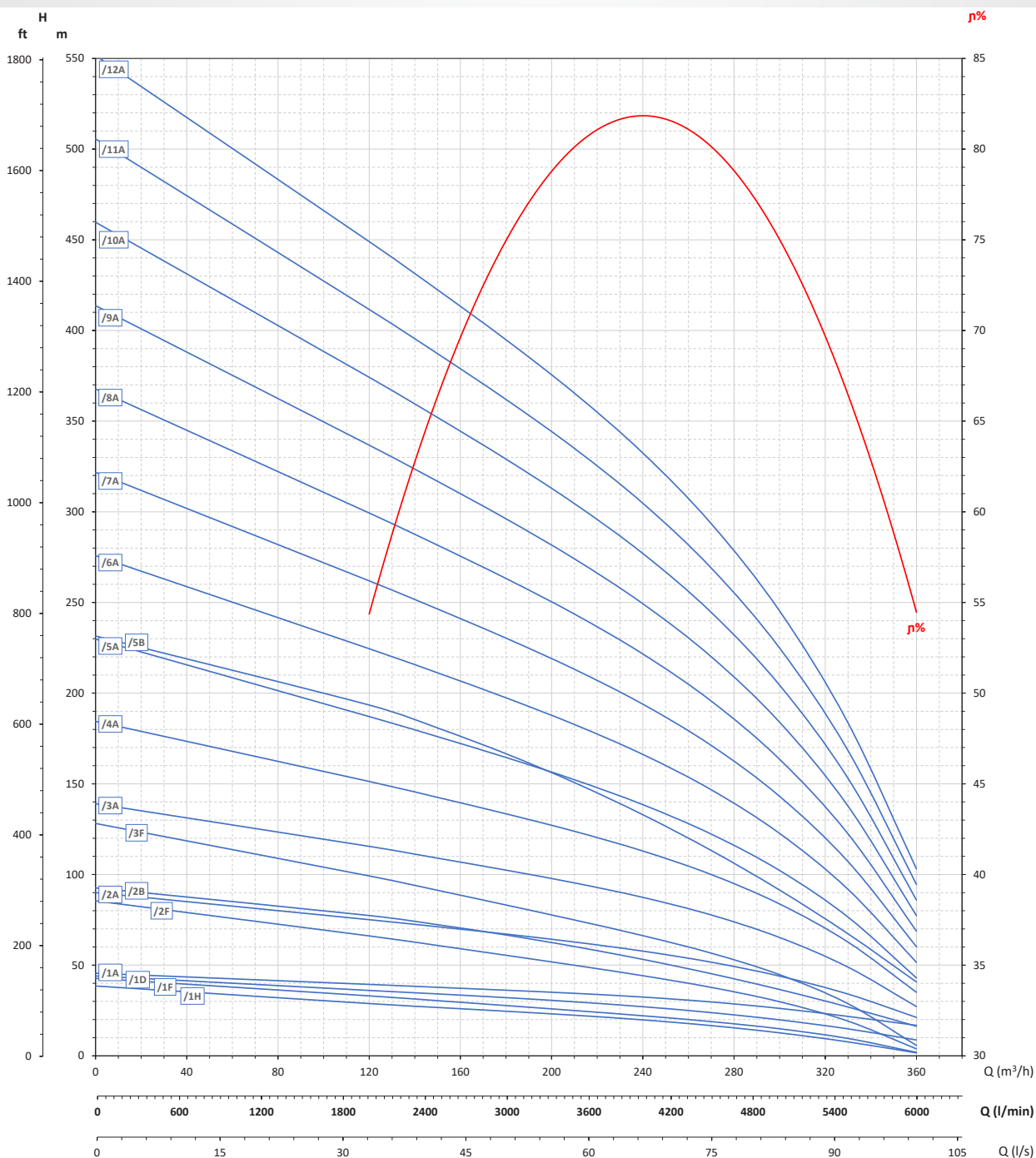
* Non consigliata per montaggio in posizione orizzontale. / This electropump isn't recommended for horizontal assemblage.
/ Cette électropompe n'est pas recommandée pour le montage horizontal. / Esta electrobomba no se recomienda para el montaje horizontal.

Tolleranze secondo EN ISO 9906 app.A Gr.2 - Tolerances according to EN ISO 9906 an.A Gr.2 - Tolérances conformes EN ISO 9906 an.A Gr.2 - Tolerancias según EN ISO 9906 an.A Gr.2

Curve delle prestazioni

Performance curves / Courbes des performances /
Curvas de las prestaciones

FB10SX280



Rendimento massimo / Maximum efficiency / Rendement maximal / Rendimiento máximo **81,80%**

Assorbimento massimo per stadio / Maximum consumption per stage / Absorption maximale par étage / Absorción máxima por etapa
A = 22,36 kW/st - B = 21,57 kW/st - D = 24,82 kW/st - F = 18,5 kW/st - H = 18,5 kW/st